



STEEL PIPES & FITTINGS

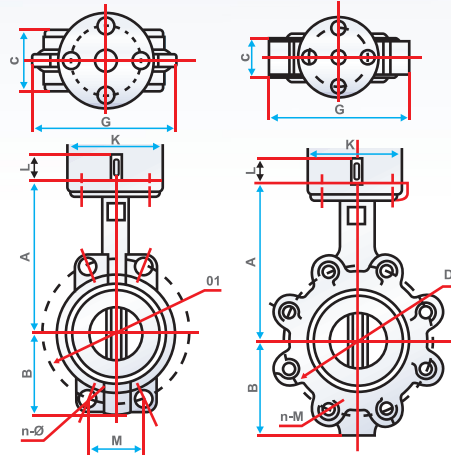
(PTY) LTD

Your One Stop Steel Tubing and Hardware Shop

BUTTERFLY VALVES

Description:

1. Suitable Temperature: BUNA-N (NBR) $\leq 80^{\circ}\text{C}$; EPDM $\leq 120^{\circ}\text{C}$; VITON $\leq 150^{\circ}\text{C}$
2. Suitable Media: Fresh Water, Sewage, Sea Water, Air, Vapour, Food, Medicine, Oils, Acids, Alkalis, Salts. Etc



MATERIALS LIST

NO.	Part	Materials	Optional Materials
1	Body	Cast Iron	Ductile Iron, Carbon Steel, Stainless Steel
2	Seat	Buna-N or EPDM	Neoprene Hypalon, Viton Food Grade EPDM, PTFE
3	Disc	Ductile Iron	Aluminun Bronze, 316SS, 304SS, Steel
4	Shaft	SS410	304, 316 Stainless Steel, Monel
5	Key	Carbon Steel	None
6	O-Ring	Buna-N	None
7	Bushing	Lubricated Bronze	Fiberglass Backed PTFE

Torque in Newton Metres (N.M)

Dimensions	PN10(N.M)	PN16(N.M)	Dimensions	PN10(N.M)	PN16(N.M)
DN50	9.8	12.7	DN250	163.6	261.76
DN65	11.5	14.96	DN300	203	263.9
DN80	15.6	20.28	DN350	432	561.6
DN100	23.	29.9	DN400	622	870
DN125	40.3	52.39	DN450	829	1160.6
DN150	53	68.9	DN500	1036	1450.4
DN200	76.6	99.58	DN600	1313	1838.2

DIMENSIONS (mm)

DN	A	A**	B	B**	C	TypeA	TypeLT	K	L	D1*	D2*	n-Ø*	n-M*	A/LT(kg weight)
50	161	130	80	70	42	100	121	90	30	120	125	4-19	4-M19	2,9/4
65	175	136	90	78	44	120	138	90	30	136.2	145	4-19	4-M16	3,4/5
80	181	140	95	92	46	127	146	90	30	160	160	8-19	8-M16	4,6/6
100	200	152	114	106	52	156	206	90	30	185	180	8-19	8-M16	5,3/7,5
125	213	170	127	121	54	190	234	90	30	215	210	8-19	8-M16	7,5/9
150	226	186	139	140	56	212	262	90	30	238	240	8-23	8-M20	9,6/11
200	260	202	175	170	60	268	313	90	32	295	295	8-23 12-23	8-M20 12-M20	15,5/16,5
250	292	250	203	197	68	325	394	125	32	357	350 355	12-28	12-M20 12-M24	23,5/27
300	337	293	242	233	76,5	403	468	125	32	407	400 410	12-28	12-M20 12-M24	35/38,5
350	370		270		76,5	430	515	140	45	467	460 470	16-28	16-M24 16-M20	42,5/72
400	400		300		86	485	580	197	51	515 425	515 525	16-31	16-M24 16-M27	52/90
450	422		320		102	537	627	197	51	565 585	565 585	20-28 20-31	20-M24 20-M27	87/111
500	480		360		128	592	696	197	64	620 650	520 550	20-28 20-31	20-M24 20-M30	98/123
600	562		420		151	706	821	210	70	725 770	725 770	20-31 20-37	20-M27 20-M33	133/178