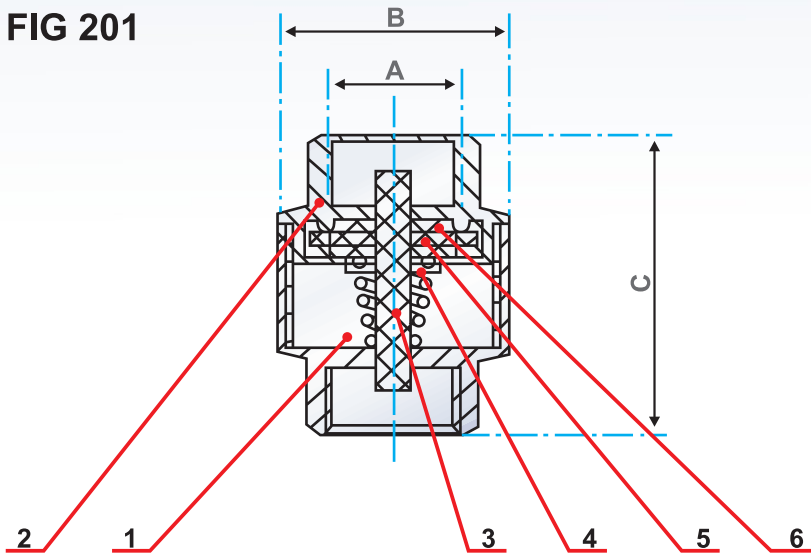




BRASS SPRING CHECK VALVE

FIG 201



A	1/2	3/4	1	1-1/4	1-1/2	2	2-1/2	3	4
B	35.5	41.7	47.2	59.3	67.6	83.7	95.5	110.5	144.5
C	46.8	51.4	59.5	64.5	73.3	80.2	93	100	112

6	WASHER	ABS
5	RUBBER WASHER	NBR
4	SPRING	STAINLESS STEEL
3	DISC	BRASS
2	BONNET	BRASS
1	BODY	BRASS