



**Hillaldam**  
SLIDING DOOR SYSTEMS

*Quality in Motion® since 1958*



**BarnSlide™ 50N**  
Installation Instructions



Since 1958

TELEPHONE: (+2711) 626 1001 | EMAIL: [sales@hillaldam.co.za](mailto:sales@hillaldam.co.za) | [WWW.HILLALDAM.COM](http://WWW.HILLALDAM.COM)

Barn door style fittings  
for interior doors.

# COMPONENTS

## SPECIFICATIONS

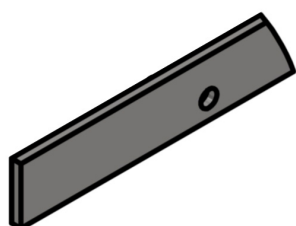
- Maximum Door Weight: 50kg
- Maximum Door Height: 2100mm
- Maximum Door Width: 1200mm
- Door Construction: Timber Frame Door
- Minimum Thickness: 30mm
- Maximum Thickness: 44mm

## NOTE

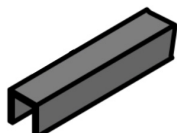
- Other finishes available on request.
- Special door sizes available on request.
- Clean hardware with damp cloth (no detergent).

## TOOLBOX REQUIREMENTS

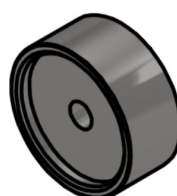
- M5+ M2.5 ALLEN KEY
- STAR AND PAN HEAD SCREW DRIVERS
- SPIRIT LEVEL
- IMPACT DRILL
- CONCRETE DRILL BITS FOR FIXING HOLES
  - SIZE 6 (GUIDE)
  - SIZE 8 (COACH SCREWS)
- LADDER
- MEASURING TAPE
- MARKING PENCIL



**Bar Track**  
30x6



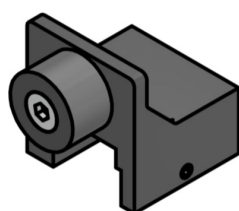
**21A Aluminium Channel**  
Not drilled



**Architrave Spacer**  
Not included in set



**Track Bracket**



**Moulded Stop LH and RH**  
with M5 Grub Screws



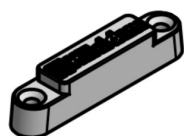
**Hilti Fischer H1 Wall Plug (8x50)**  
To work with 8x120 Hex Head Coach Screw



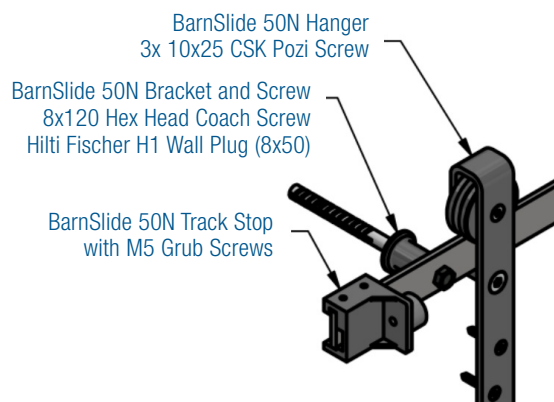
**Size 6x30 Wall Plug**  
To work with 4.2x32 Pozi Screw



**Hanger**  
3x 10x25  
CSK Pozi Screw



**33x21 Nylon Guide**  
2x 4.2x32 CSK Pozi Screw  
2x 6x30 Fischer Wall Plug



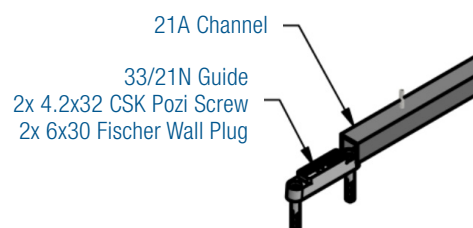
**8x120 Hex Head  
Coach Screw**



**10x25 CSK  
Pozi Screw**



**4x38 CSK  
Pozi Screw**



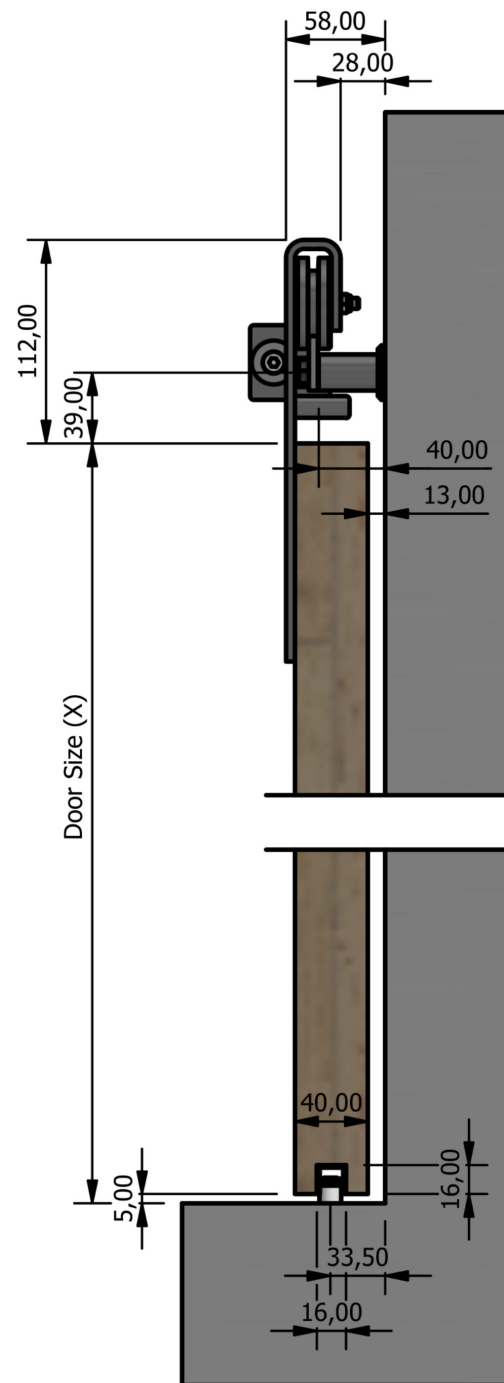
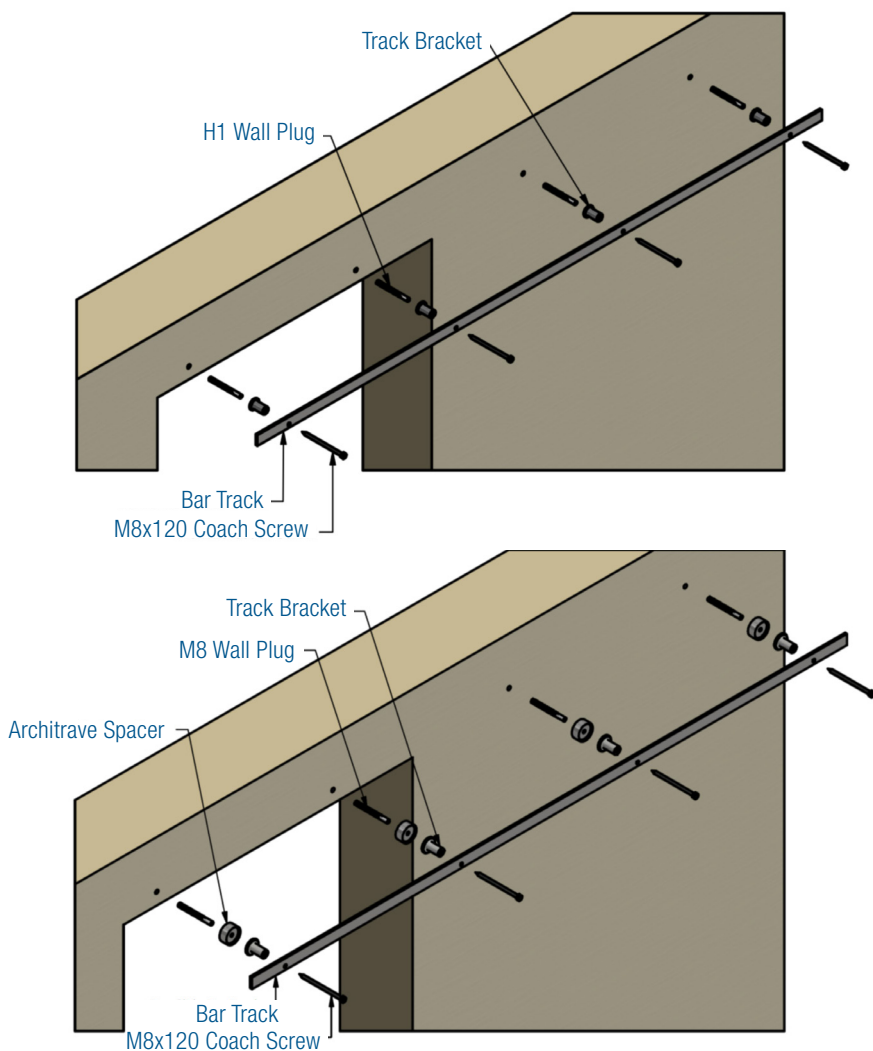
21A Channel

33/21N Guide  
2x 4.2x32 CSK Pozi Screw  
2x 6x30 Fischer Wall Plug

# INSTALLATION INSTRUCTIONS

## STEP 1: BRACKET AND TRACK POSITIONING AND INSTALLATION

- Using a spirit level and the dimensions illustrated, position the track along the top of the opening and mark off the position of the fixing bracket holes.
- Once marked off the holes can be drilled and the track mounted.
  - The large side of the spacer/bracket must be against the wall.
  - Ensure that the drilled holes smaller edge is positioned at the bottom.
  - Drill holes in the wall minimum 80mm deep.



### BRACKET POSITIONS FOR FIXING TRACK TO WALL

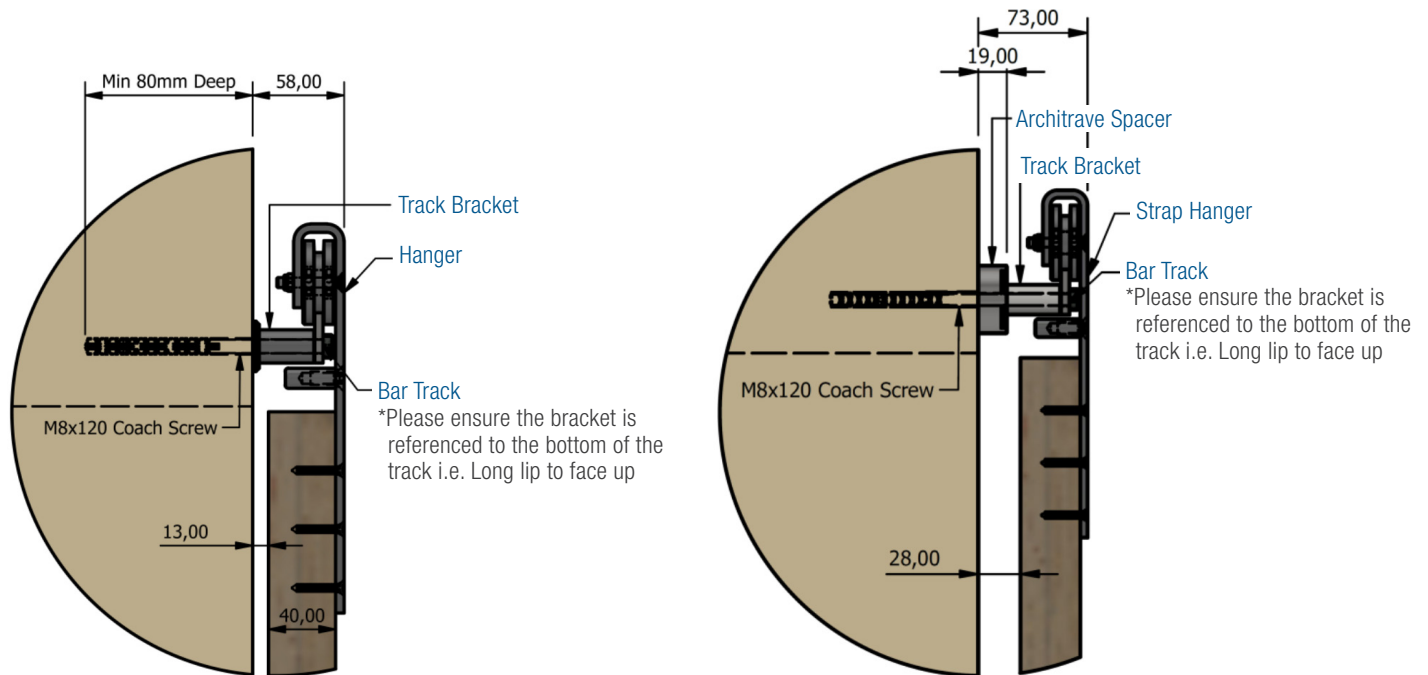
- Door height (X) + bottom clearance (5mm) + top of door to centre of bracket (39mm).
- $X + 5 + 39 =$  Centre of bracket from the ground. E.g.  $2100 + 5 + 39$ .
- Therefore the centre of the bracket must sit at 2144mm from the finished floor level.
- \* Door size will be affected depending on how the channel is fixed.

### NOTES

- For openings with an architrave, wall mounting brackets must be mounted using an architrave spacer, kit sold separately.
- 5mm clearance for door is true if floors are level, please ensure floors are level or increase the gap at the bottom of the door.

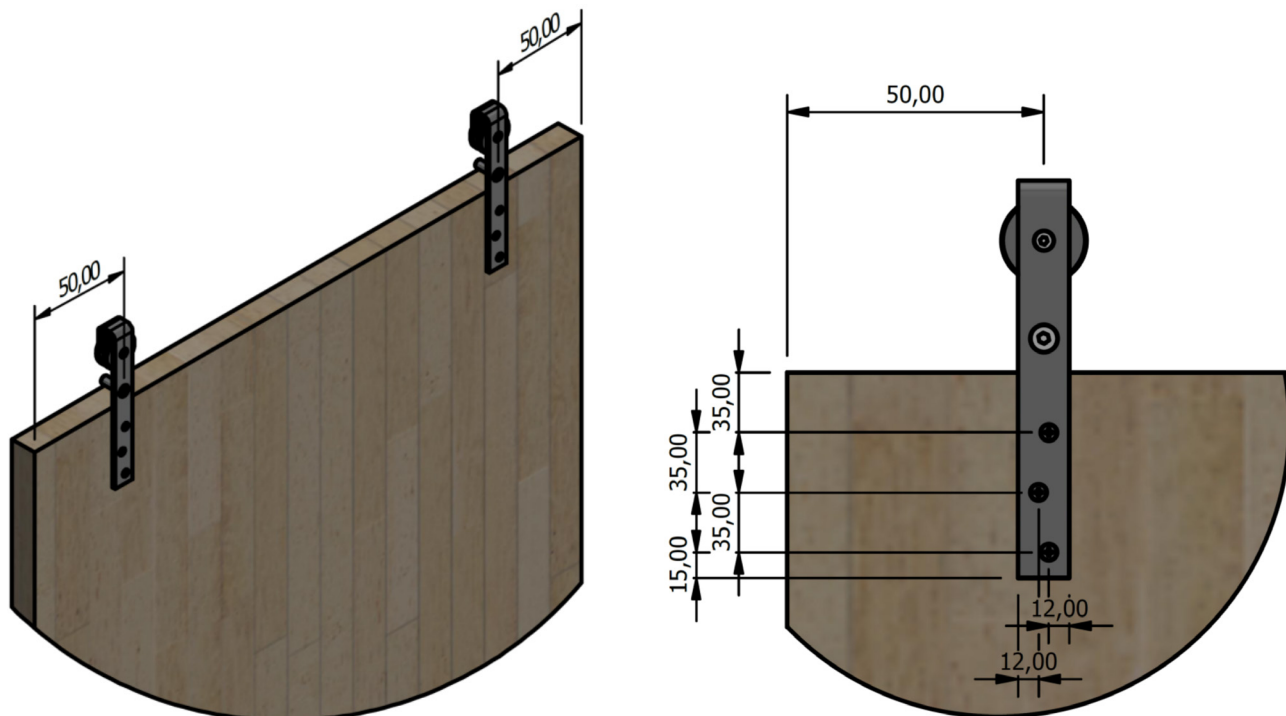
# INSTALLATION INSTRUCTIONS

## STEP 1: BRACKET AND TRACK POSITIONING AND INSTALLATION (cont.)



## STEP 2: FITTING HANGERS TO THE DOOR

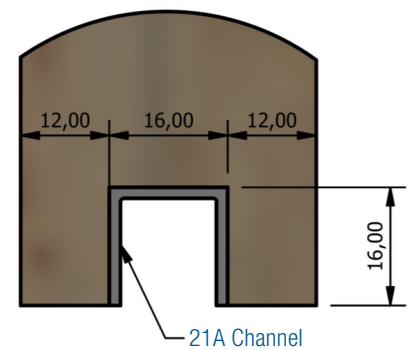
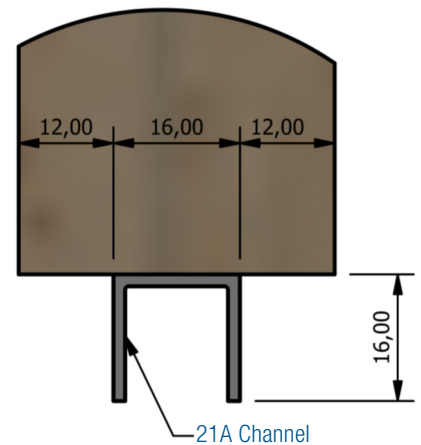
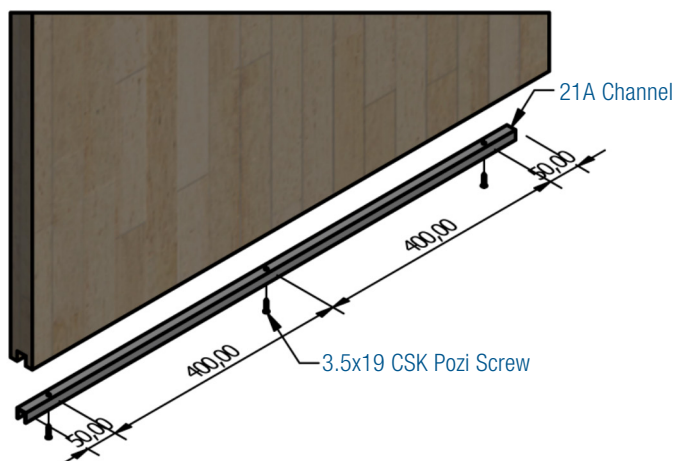
- Using the screws provided, screw the strap hangers 50 to 150mm from the edge and precisely 120mm from the bottom of the bracket to the top of the door.



# INSTALLATION INSTRUCTIONS

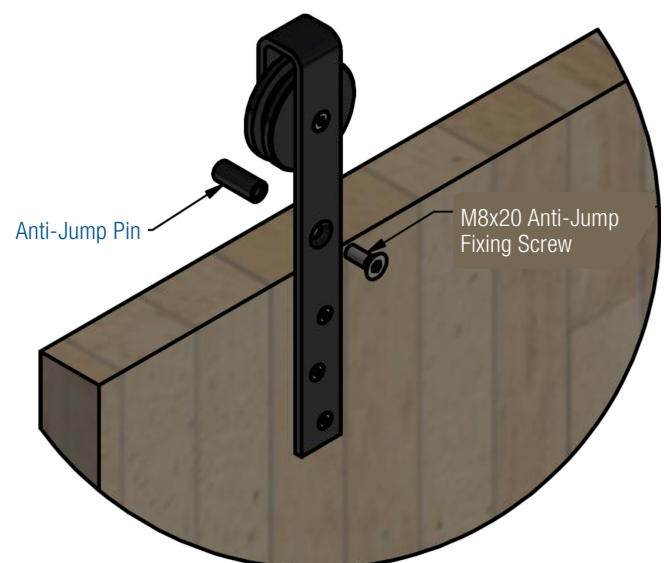
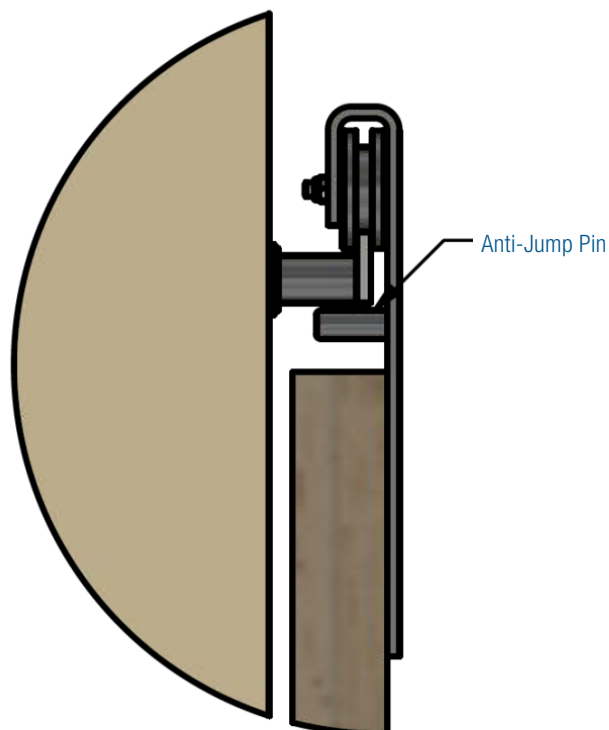
## STEP 3: FITTING CHANNEL TO THE DOOR

- Drill 21A channel as per below sketch.
- Using 3.5x19 CSK Pozi screws fix the channel to the door as per below sketch.
- \* Channel can be fitted to the door or cut into the door.



## STEP 4: FITTING THE DOOR

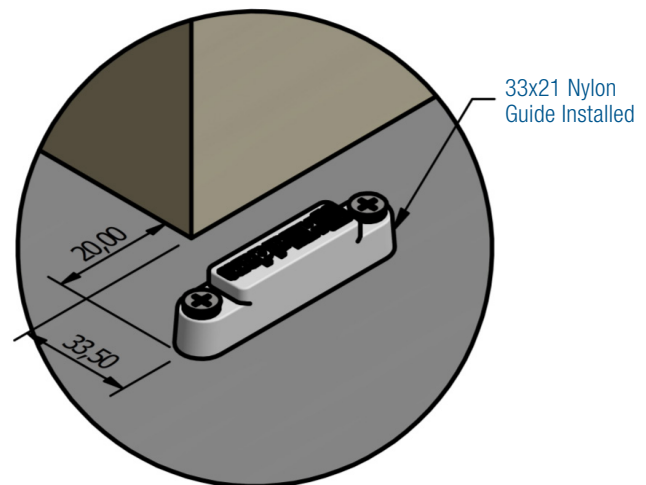
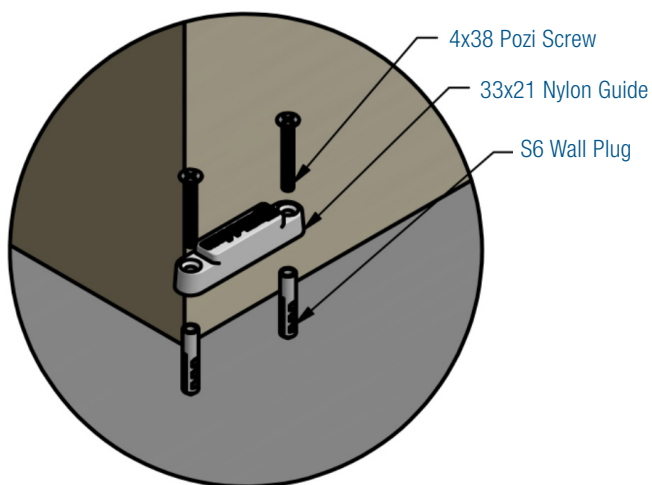
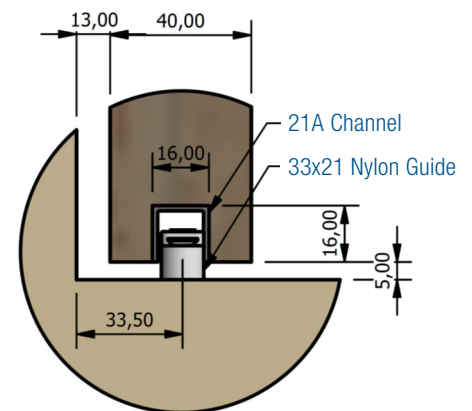
- Remove the anti-jump pins with M5 allen keys (Located underneath the main wheel) and hang the door by positioning the wheel over the track.
- Once hung re-install the anti-jump pins. See details below.



# INSTALLATION INSTRUCTIONS

## STEP 5: GUIDE INSTALLATION

- Place guide at start of the opening, ensure the guide will always be engaged within the channel when the door is in both the open and closed positions.
- Ensure a 10mm gap from wall to door.
- Guide to be 30mm from wall to centre of the guide. (This is the case for a 40mm door. Please adjust accordingly for 10mm gap.)
- Guide is fixed with 6 x 40mm screws with plugs for concrete and 4 x 38mm screws for timber.



## STEP 6: TRACK STOP INSTALLATION

- Slide the stoppers over either end of the track with rubbers facing the door hangers.
- Position to required door stopping position.
- Fix stoppers into place with pre fitted fixing grub screws.

