

Top hung sliding hardware for timber doors and sheds up to 100kg

FEATURES:

- Reliable ball-bearing hangers
- Easy installation
- Barn Door Style

SPECIFICATIONS:

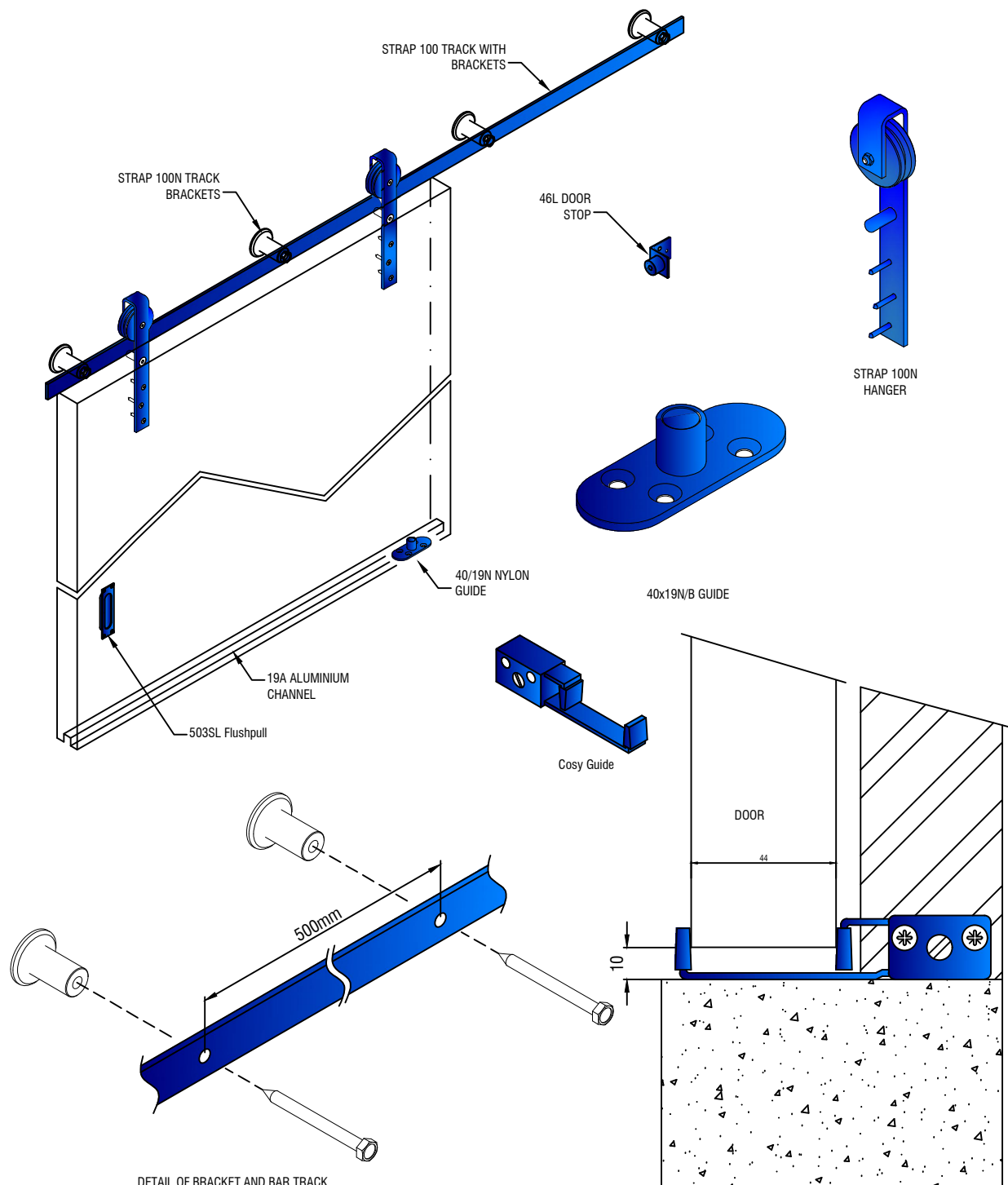
Max door mass: 100kg
 Max door height: 2300mm
 Max door width: 1200mm
 Door construction:
 Timber/Aluminium framed
 min 30mm thick
 For Internal applications.

COMPONENTS

Strap 100 bar track with brackets (500mm centres)
 100N Side fix strap hangers
 40/19N/B Guide or Cosy Guide
 19A Aluminium channel
 503SL/503 Flushpulls

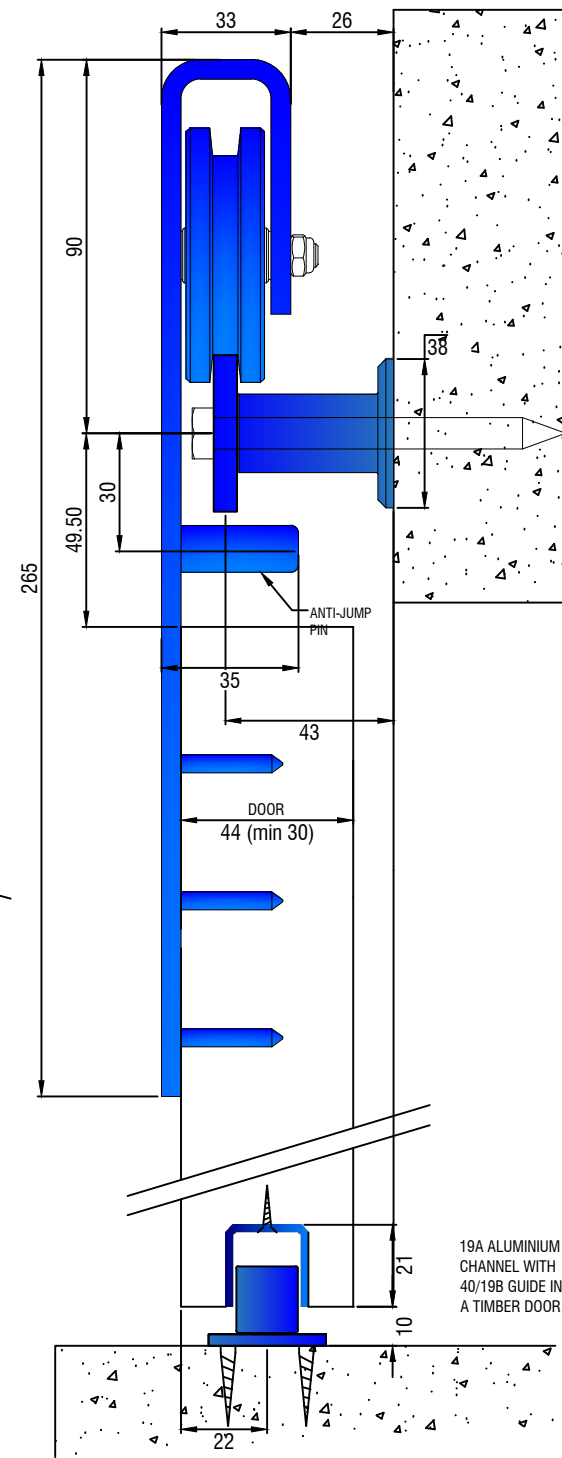
NOTE:

All fittings available in stainless steel for coastal applications.



DETAIL OF BRACKET AND BAR TRACK.
 MAX RECOMMENDED SPACING OF 500MM

ALTERNATE GUIDE OPTION
 SHOWING COSY GUIDE (NOT INCLUDED IN SET)



SECTION THROUGH DOOR SHOWING
 43 BAR TRACK WITH BRACKETS AND 100N STRAP HANGER.
 SCALE 1:2

19A ALUMINIUM CHANNEL WITH
 40/19B GUIDE IN
 A TIMBER DOOR.