



## SINGLE DISC WAFER SWING CHECK VALVE

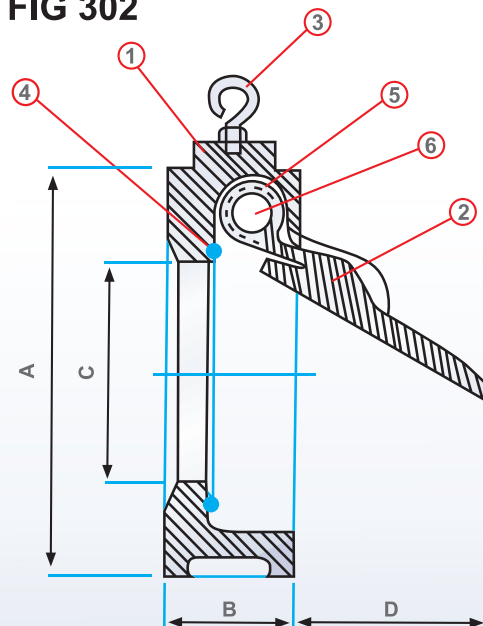
Normal Pressure	PN16
Strength test pressure	1.76MPa
	2.4MPa
Suitable temperature	NBR:- 10 - + 80°C
	EPDM:- 10 - + 120°C
	VITON:- 10 - + 150°C
Medium	Fresh water, Sea water, Waste water, foodstuff,
	All kinds of oil, all kinds of acid and alkaline liquid etc.



### DIMENSIONS (mm)

DN	A			B	C	D
	BS TD & E	ANSI 125-150	DIN 2501			
50	96	104.8	107	44.5	33.3	28.6
65	109	123.8	127	47.6	42.9	30.2
80	128	136.5	142	50.8	52.4	55.6
100	160	174.6	162	57.2	76.2	74.6
125	191	196.9	192	63.5	95.3	95.3
150	212.6	222.3	218	69.9	163.5	155.6
200	270	279.7	273	73	120.7	114.3
250	333	339.7	328	79.4	193.7	187.3
300	380.8	409.6	278	85.7	241.3	222.3
350	447.7	450.9	446	108.0	266.7	288.6
400	498.5	514.4	498	108.0	317.5	247.7

FIG 302



### MATERIALS LIST

No.	Part Name	Material	Grade
1	Body	Cast Iron	GG20/50
2	Disc	Stainless steel	304/316
3	Eye screw	Carbon steel	
4	Seat ring	Rubber	NBR, EPDM, VITTON
5	Spring	Stainless steel	304/316
6	Axle	Stainless steel	2Cr13



## SINGLE DISC WAFER SWING CHECK VALVE

HEADLOSS - METRES HEAD WATER

