



# Rollaway 400

Bottom rolling sliding hardware for exterior timber doors up to 400kg.

## Features

- Quality ball-bearing rollers
- Flat track tread for strength

## Specifications

Max door mass: 400kg  
 Max door height: 3500mm  
 Max door width: 2000mm  
 Door thickness: 44-60mm

The area of a single sliding leaf should be related to all other factors.

## Components

- 802A Aluminium channel
- 805/805DR Top guides
- 98B Bottom roller (brass wheel) or 98S Bottom roller (steel wheel)
- 821BH Brass bottom track or 408S Steel bottom track
- 503NAVGA Flush pull handle
- 965 Mortise claw lock
- DS2 Floor stop

## NOTE:

- All fittings available in stainless steel for coastal applications.
- Various finishes available.

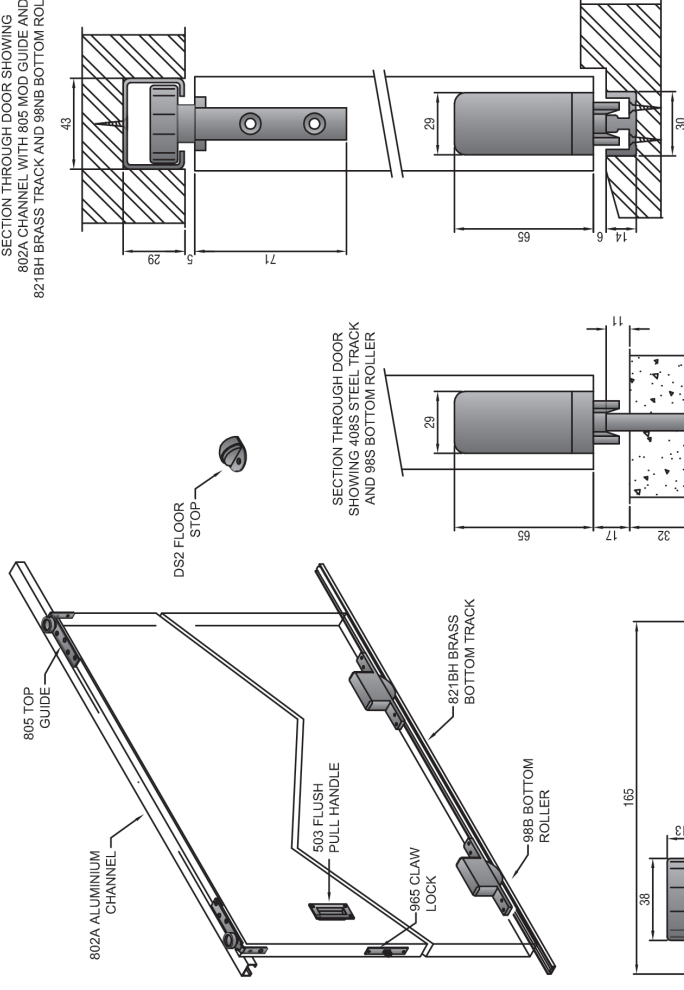
For specialist projects contact:



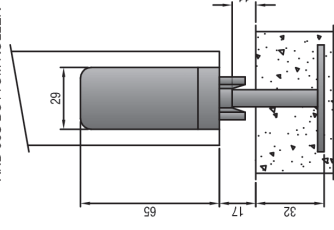
South Africa: +27 11 626 1001  
 www.hillaldam.com

**Straight sliding door systems**  
 (Domestic, Commercial, Shop fitting, Hospital, Industrial)

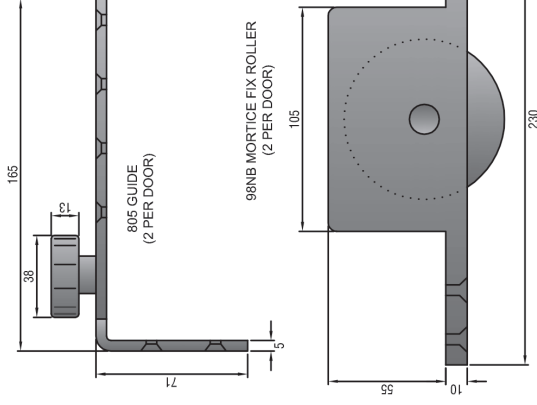
SECTION THROUGH DOOR SHOWING 802A CHANNEL WITH 805 MOD GUIDE AND 821BH BRASS TRACK AND 988B BOTTOM ROLLER



SECTION THROUGH DOOR SHOWING 408S STEEL TRACK AND 98S BOTTOM ROLLER



ALTERNATE CILL DETAILS SCALE 1:3



## Mechanism

