



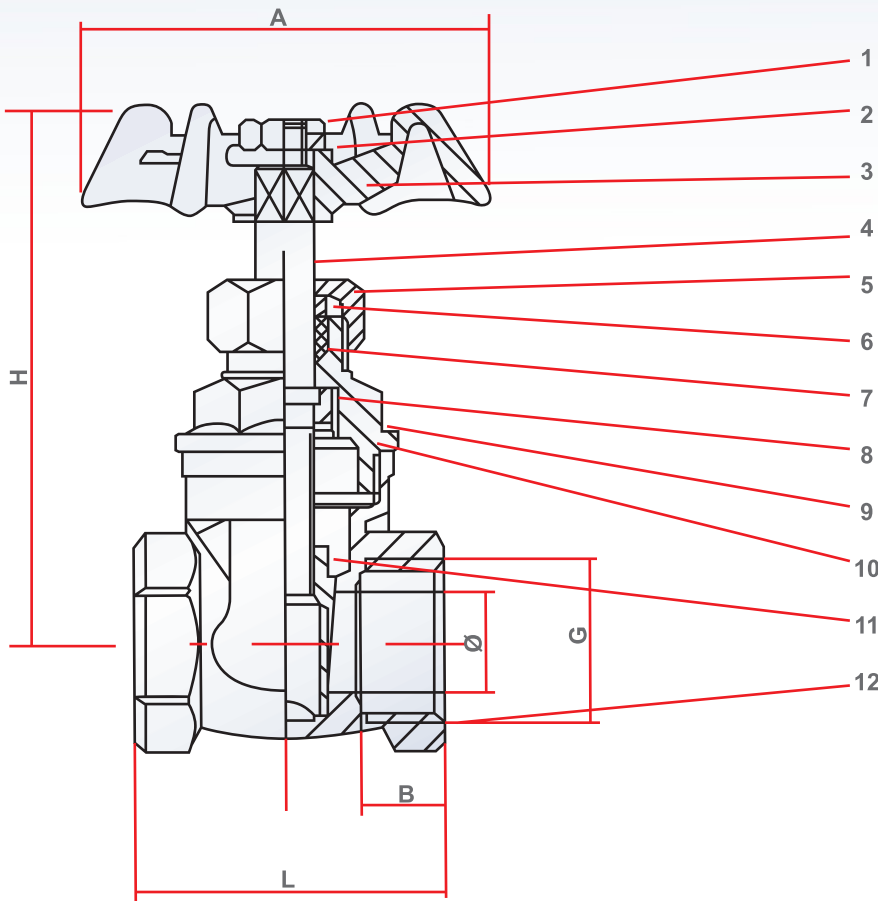
# STEEL PIPES & FITTINGS

(PTY) LTD

*Your One Stop Steel Tubing and Hardware Shop*

## BRASS GATE VALVE

FIG. 401



SIZE	A	H	L	B	G	Ø
1/4"	54	73	36	10	1/4"	11.6
3/8"	54	73	36	10	3/8"	12.5
1/2"	54	74	40	11	1/2"	13
3/4"	54	80	50	13.5	3/4"	19
1"	60	87.5	53	14	1"	20
1-1/4"	71	111	56	14.5	1-1/4"	31
1-1/2"	71	124	61	16	1-1/2"	38
2"	78.5	138	66	17	2"	45
2-1/2"	108	178	80	23	2-1/2"	60
3"	108	198	92.5	24	3"	70
4"	126	230	102	25	4"	86

1	HEX. NUT	STEEL
2	MARK	AL
3	HANDLE	STEEL
4	STEM	BRASS
5	NUT	BRASS
6	BRASS RING	BRASS
7	PACKING	PTFE
8	LOCKING NUT	BRASS
9	BONNET	BRASS
10	WASHER	PTFE
11	SPINDLE	BRASS
12	BODY	BRASS