



BALL VALVE

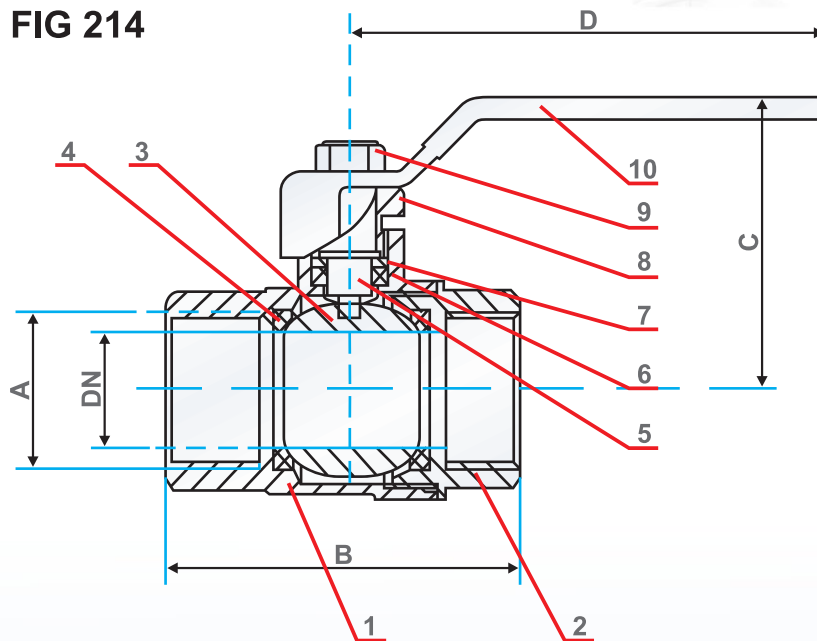
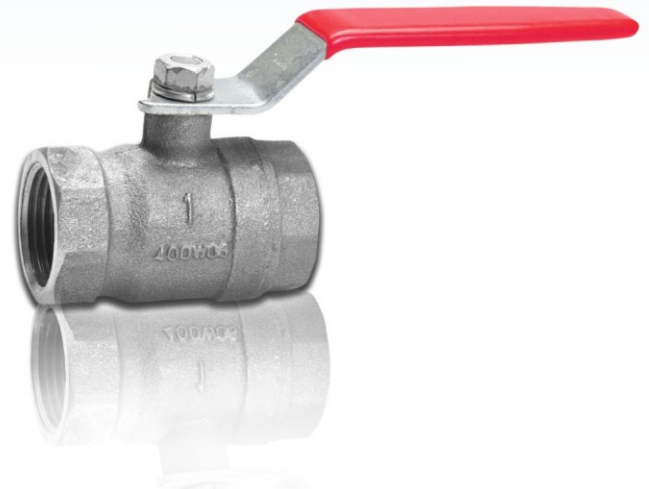
Description:

Screwed body cap, PTFE seats, Blowout-proof stem.
Screwed ends to BS 21. Nickel plated body. Chrome plated ball.

MATERIALS

Part	Material
Body	Forged Brass*
Body Cap	Forged Brass*
Stem	Special Brass Rod
Ball	Forged Brass (chrome plated)
Seat	PTFE
O-Ring	PTFE
Handle	Steel (Vinyl Grip)

*For 4" valve, these parts are made of bronze,
Hydrostatic Test Pressure: Shell 600 psi.
Shell 80 psi (Air).



DIMENSIONS

	1/4	3/8	1/2	3/4	1	1 1/4	1 1/2	2	2 1/2	3	4
A	1/4	3/8	1/2	3/4	1	1 1/4	1 1/2	2	2 1/2	3	4
DN	10	10	14.5	19	24.5	31	39	49	62	73	89
B	42	42	50	55.6	66.6	75.7	87.2	102	133.2	148.2	171
C	41.7	41.7	43.2	45	54.3	65.3	79.7	87.5	109.4	117.4	131.9
D	75	75	85	85	104	118	150	150	245	245	280